



**Model Number**

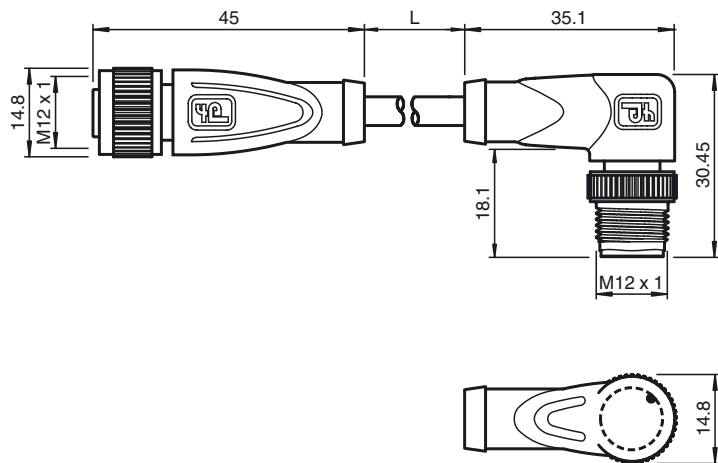
**V15-G-BK20M-PUR-U-V15-W**

Connecting cable, M12 to M12, PUR cable 5-pin

**Features**

- Knurled nut suitable for tool assembly
- Immunity to vibration, with mechanical latching
- Gold plated contacts
- Degree of protection IP67 / IP68 / IP69K
- Raw cable with cURus approval
- UL Recognized Component
- Flame resistant cable
- Resistant to microbes and hydrolysis
- Halogen-free
- Suitable for drag chains

**Dimensions**



**Technical data**

**General specifications**

Number of pins	5
Connection 1	socket
Construction type 1	straight
Threading 1	M12
Connection 2	Male connector
Construction type 2	right angle
Threading 2	M12
UL File Number	E231213

**Electrical specifications**

Operating voltage	U <sub>B</sub>	max. 60 V AC/DC
Operating current	I <sub>B</sub>	max. 4 A
Contact resistance		< 10 mΩ

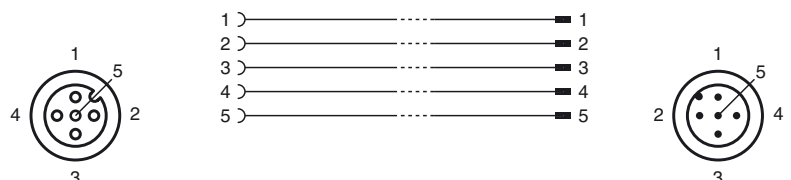
**Ambient conditions**

Ambient temperature	Body: -40 ... 90 °C (-40 ... 194 °F) cable, fixed: -40 ... 80 °C (-40 ... 176 °F) cable, flexing: -25 ... 80 °C (-13 ... 176 °F)
Pollution degree	3

**Mechanical specifications**

Contact elements	spring-loaded contact socket
Pin diameter	1 mm
Degree of protection	IP67 / IP68 / IP69K
Cable code	Li 9Y 11Y 5 x 0.34
Material	
Contacts	CuSn / Au
Contact surface	Au
Body	TPU, black
Cable	PUR
Slotted nut	Diecast zinc
Sleeve connector	Diecast zinc
Core insulation	PP
Cable	extra-fine wire, flexible
Sheath diameter	Ø 4.8 mm
Bending radius	> 10 x cable diameter, moving > 5 x cable diameter, fixed
Color	black
Number of cores	5
Core cross-section	0.34 mm <sup>2</sup>
Conductor construction	19 x 0.15 mm Ø
Length	L 20 m
Drag chain suitability	
Drag chain cycles	≥ 5000000
Motion velocity	≤ 3.3 m/s
Torsion cycles	≥ 1000000

**Electrical connection**



Release date: 2018-03-26 15:47 Date of issue: 2018-03-26 240776-100004\_eng.xml

Torsional stress	± 180 °/m
Flammability	
Contact carrier	94 HB
Housing	94 V-2
Cable	FT2
<b>Compliance with standards and directives</b>	
Standard conformity	
Degree of protection	EN 60529:2000
Standards	IEC 61076-2-101:2008
Flammability	Body: UL 94 Line: UL 1581 Section 1061; IEC 60332-1-2:2004
Halogen-free	IEC 60754-1:1994
<b>Approvals and certificates</b>	
UL approval	UL Recognized General purpose
Maximum permissible operating voltage	≤ 30 V
Maximum permissible ambient temperature	≤ 80 °C (≤ 176 °F)

Release date: 2018-03-26 15:47 Date of issue: 2018-03-26 240778-100004\_eng.xml